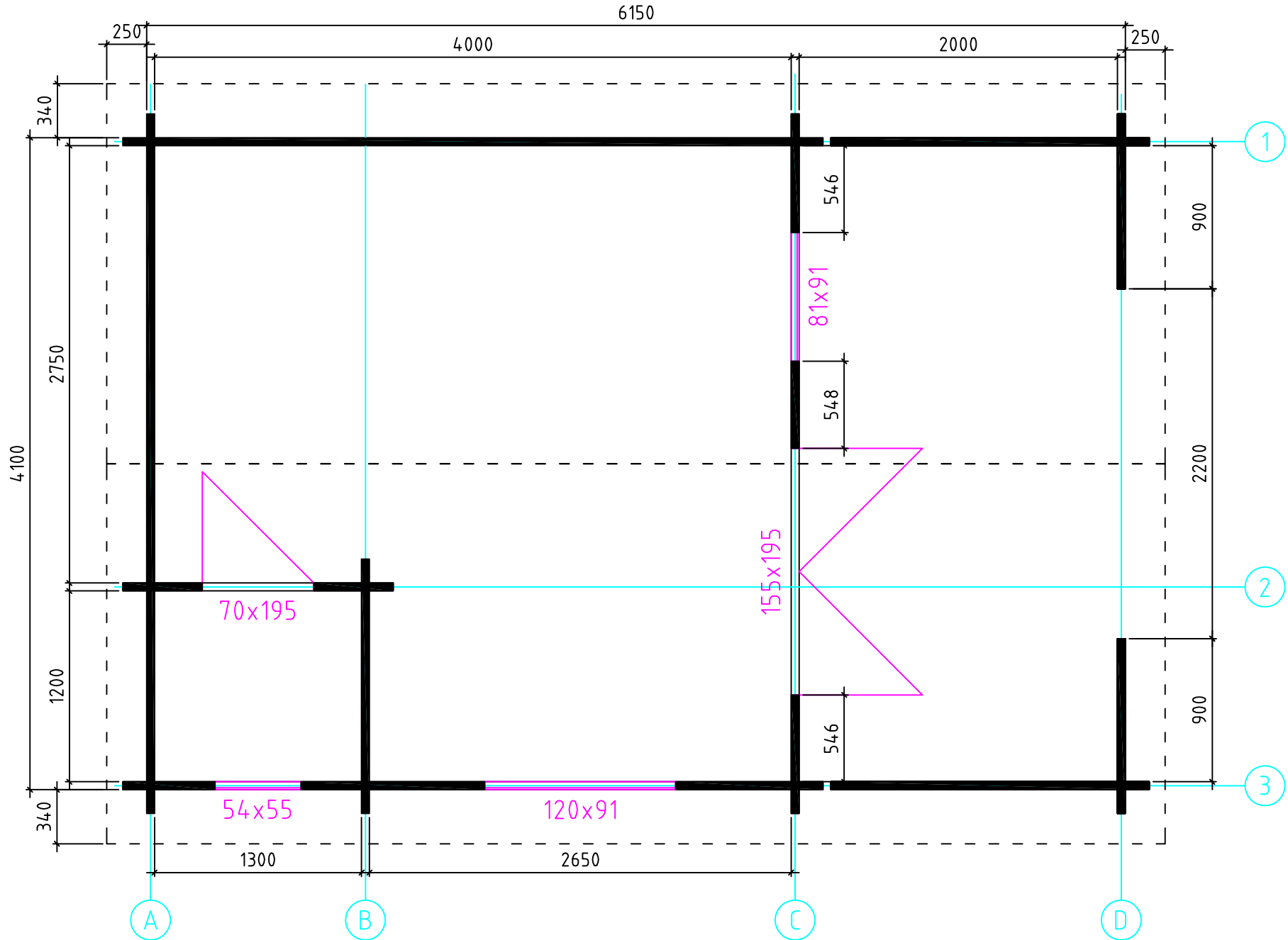


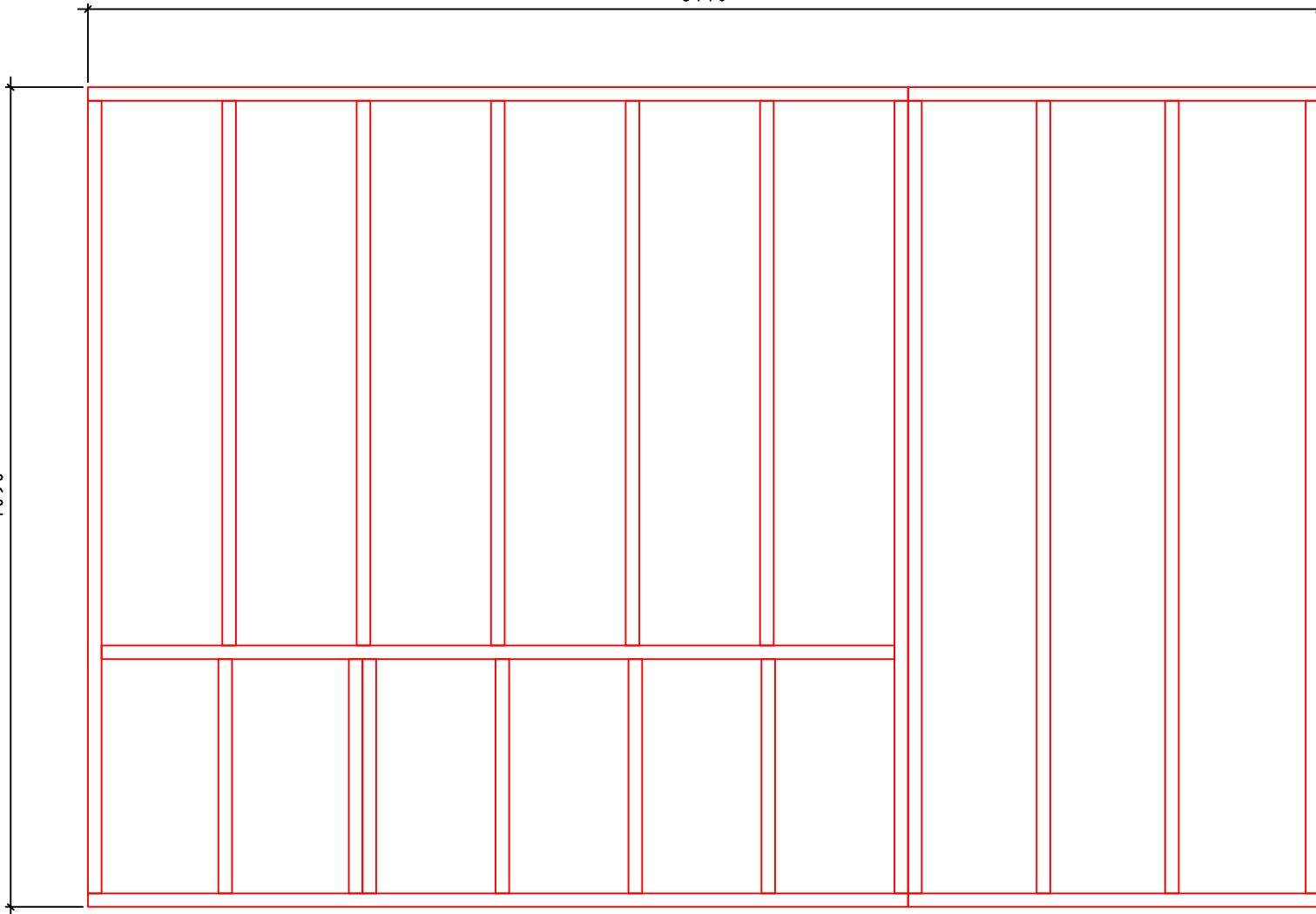
Oslo 4x4+2,0



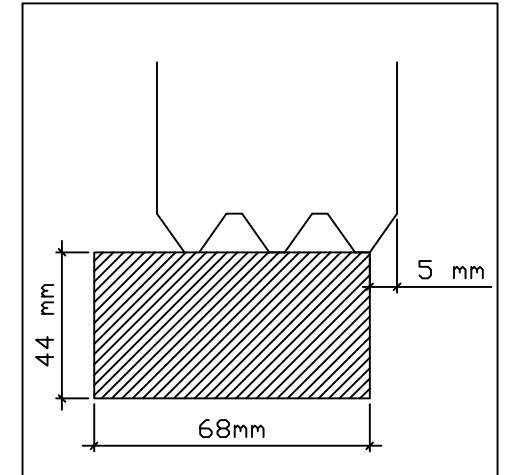
Oslo 4x4+2,0

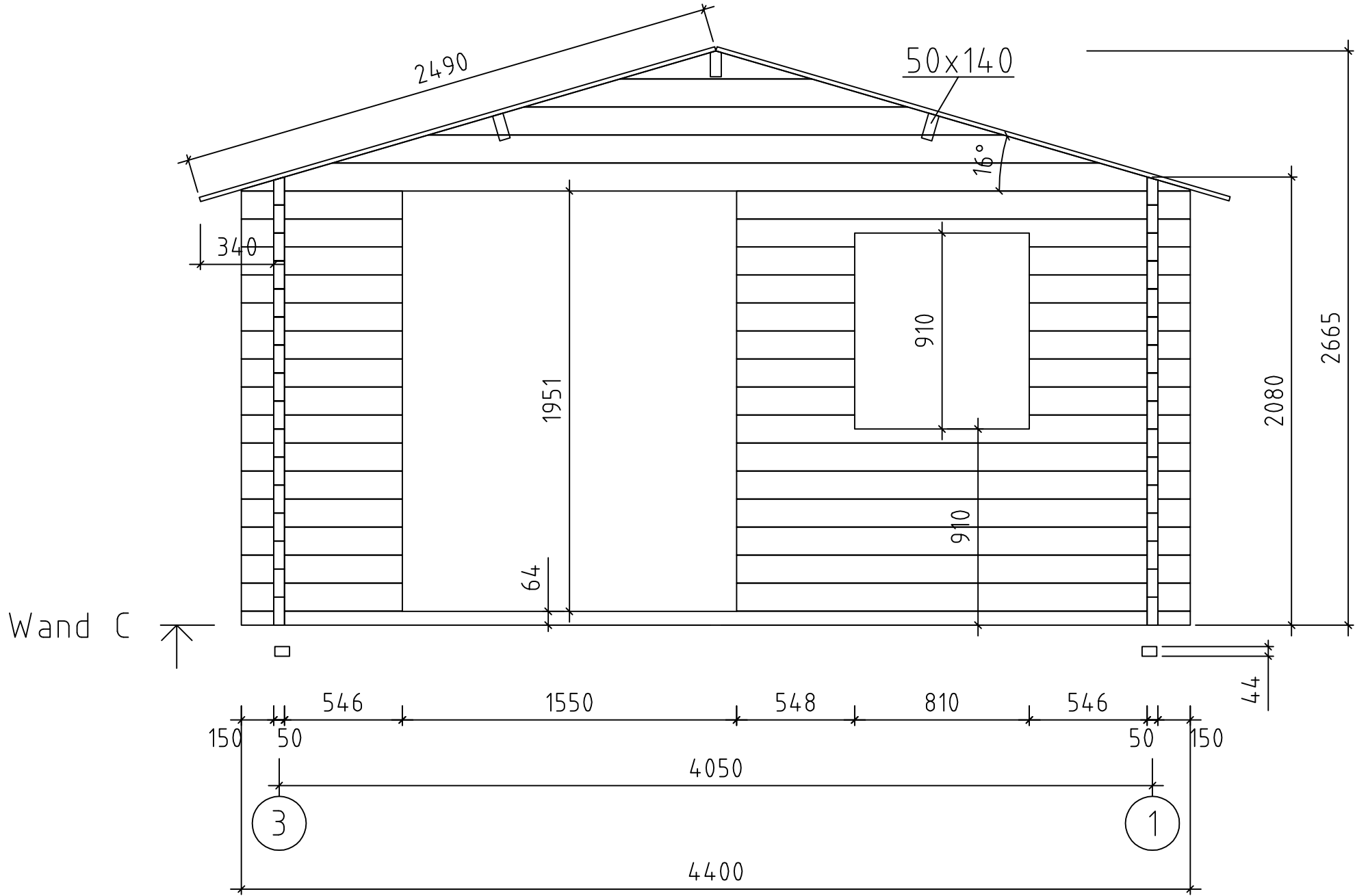
6140

4090



Fundament





Wand C

Oslo 4x4+2,0