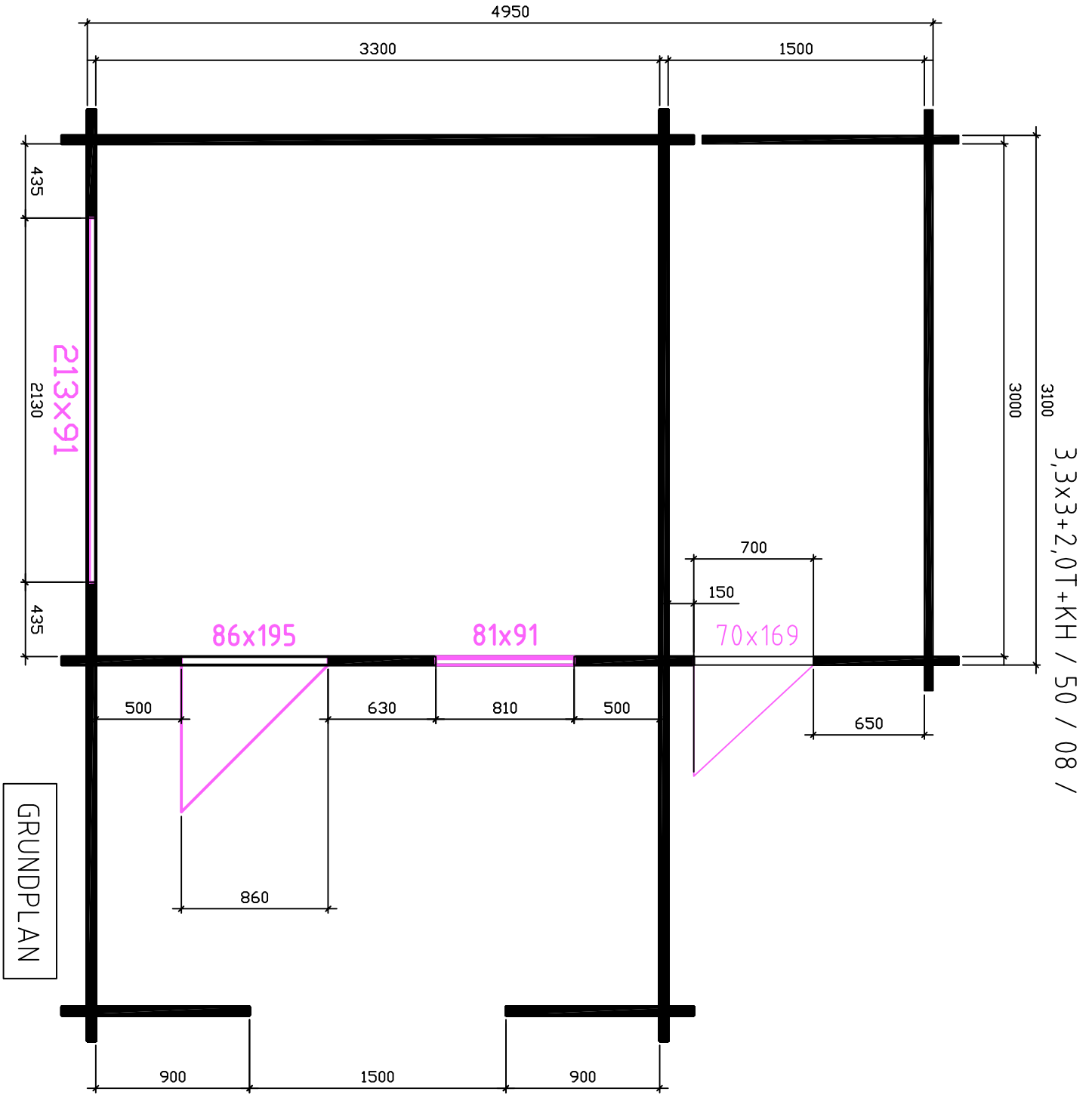
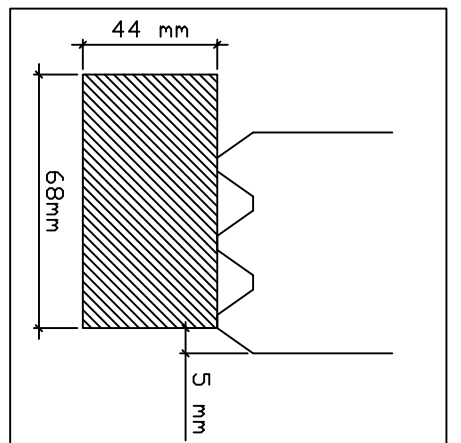
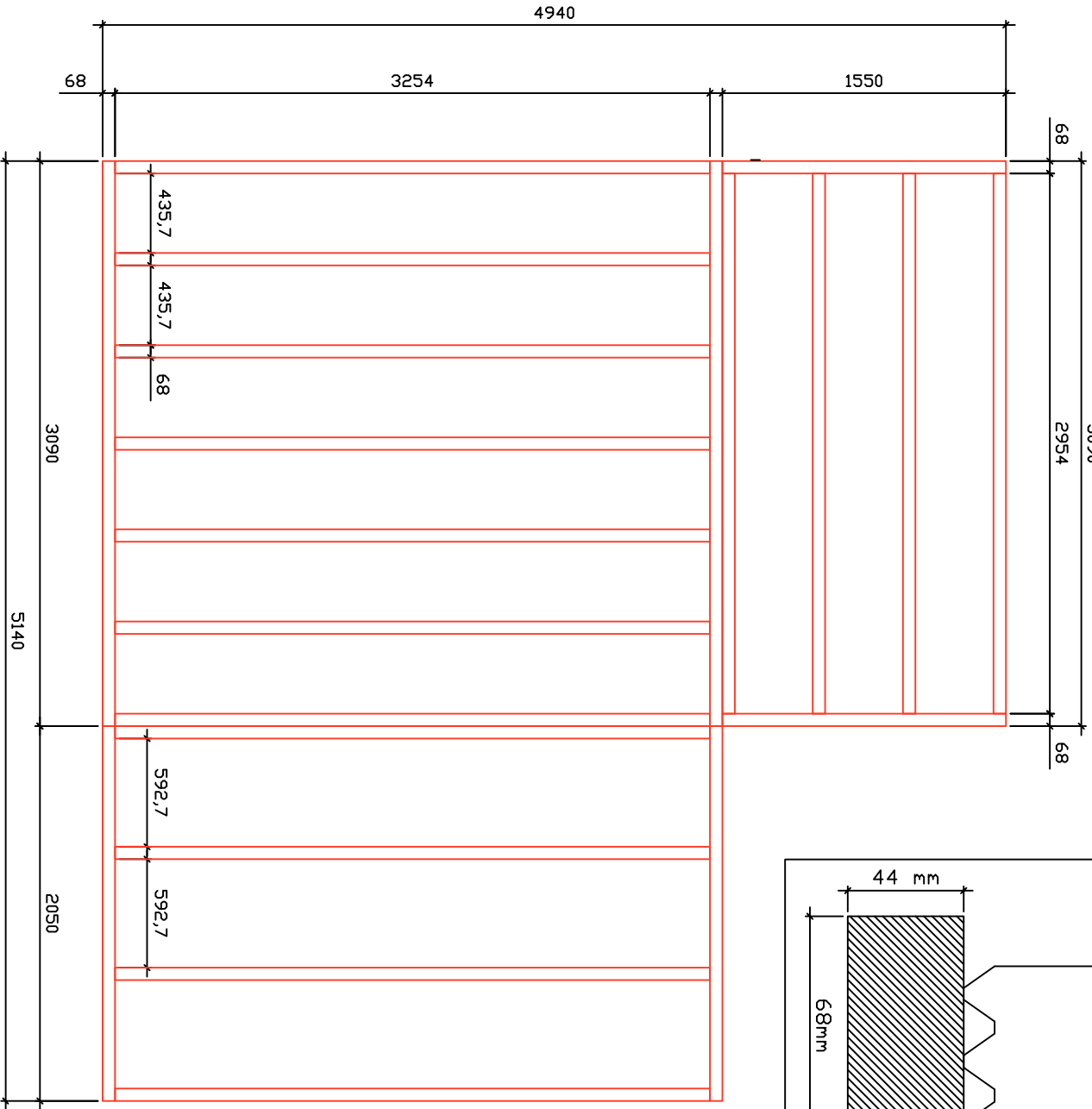


3.3x3+2.0T+KH / 50 / 08 /



3,3x3+2,0T+KH / 50 / 08 /



FUNDAMENT