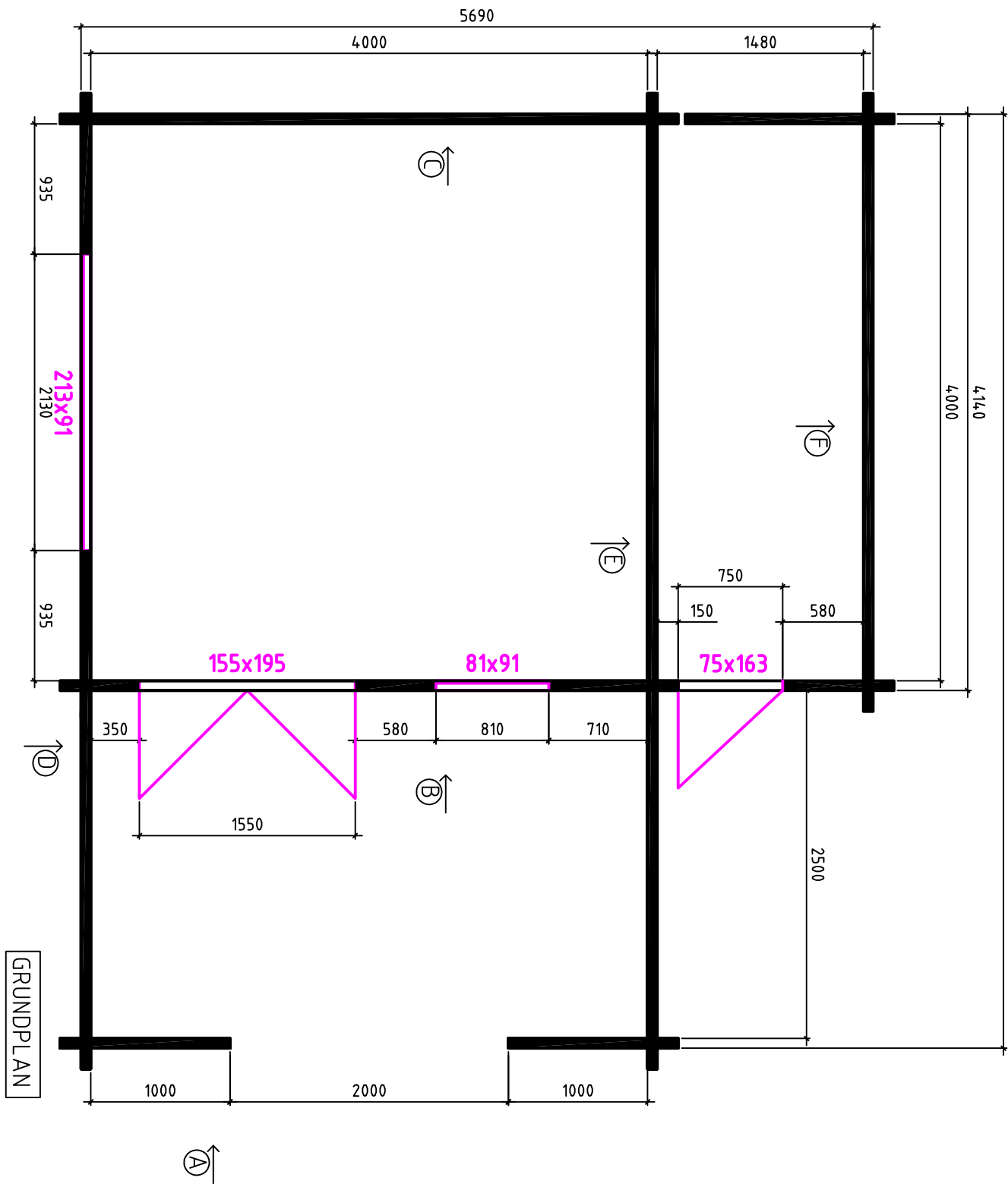
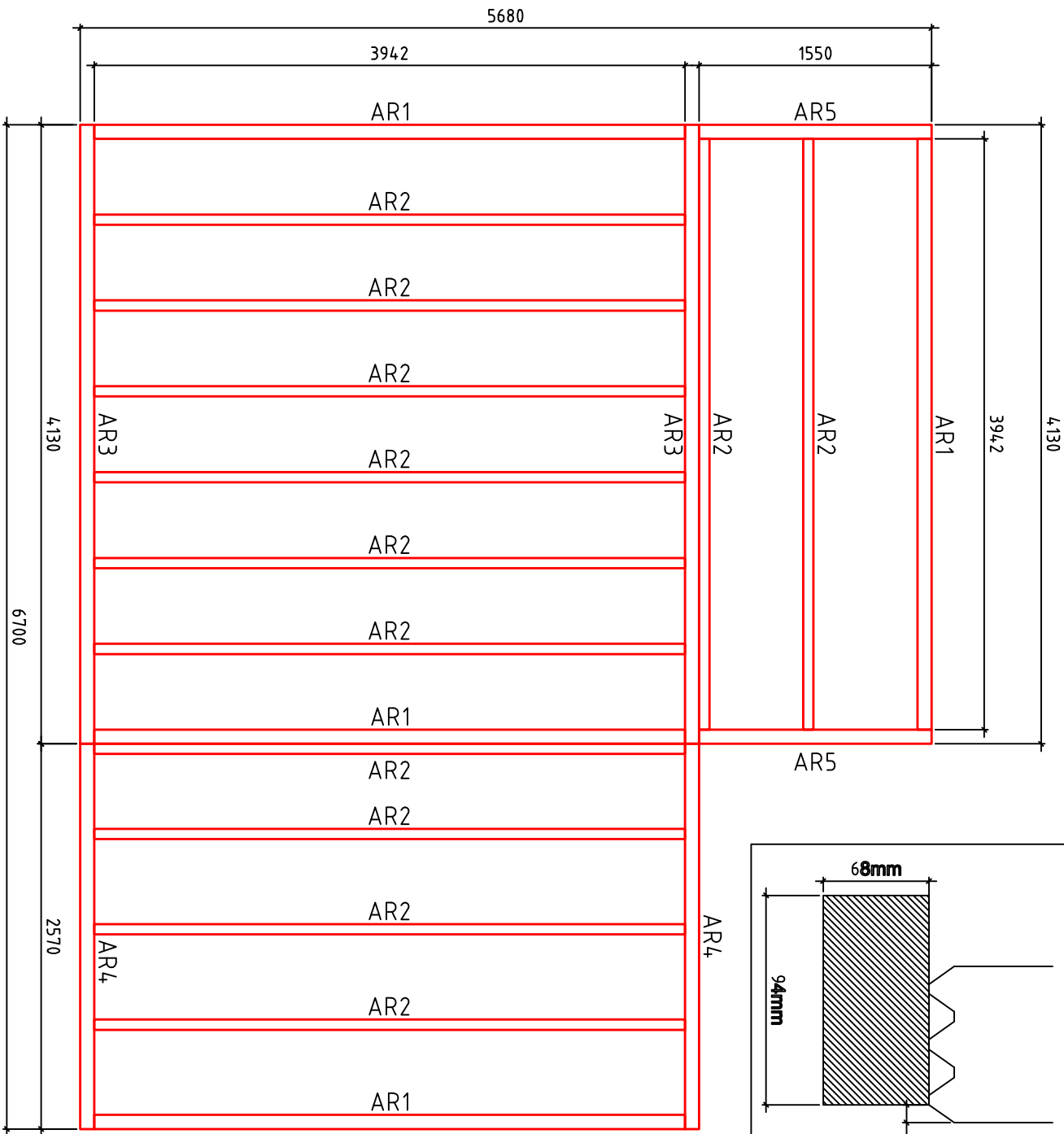


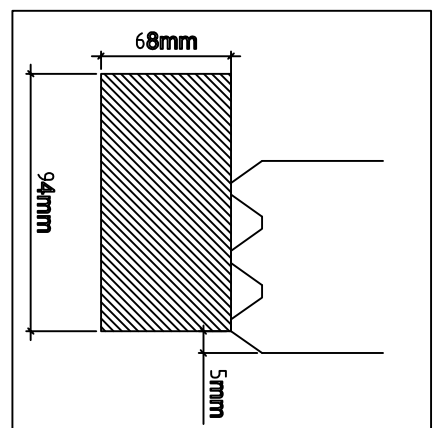
FP. $4XL+2,5T+KH$ / 70 / 09



FUNDAMENT



F. 4x4+2,5T+KH / 70 / 09



Fr. 4x4+2,5T+KH / 70 / 09

